



Slack Adjuster Identification

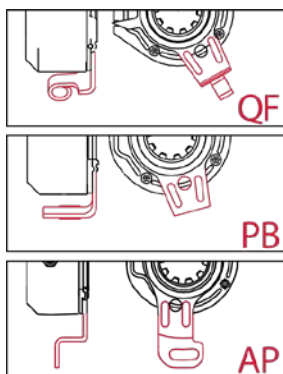
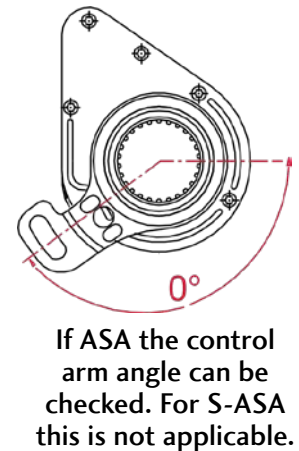
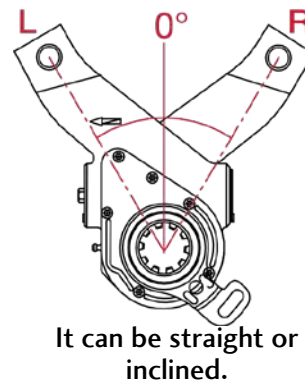
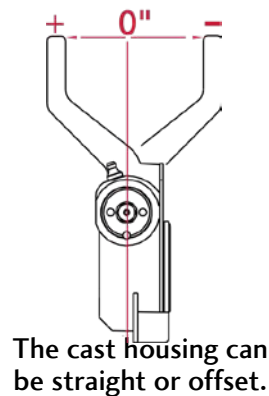
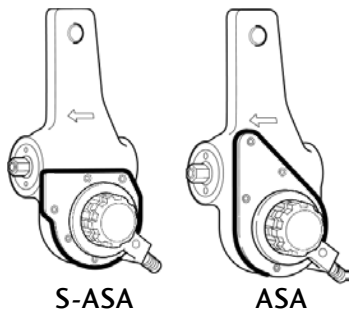
Model Number Year of Manufacture Week of Manufacture



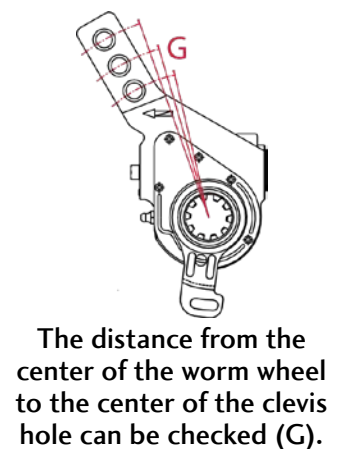
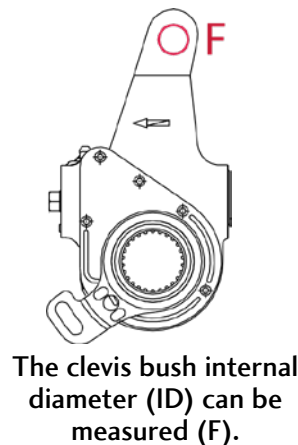
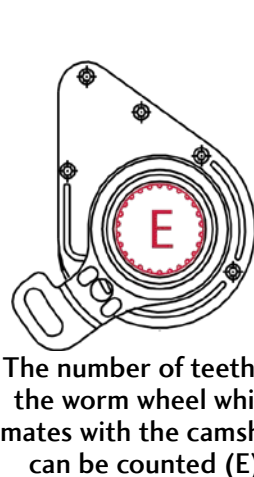
HOW TO IDENTIFY Part Number identification

TSE Automatic Slack Adjusters (ASA) and Self-setting Automatic Slack adjusters (S-ASA) are identified by the part number which is marked on the cover plate.

After a long life in service or while still on the vehicle, it can be difficult to read the information on the cover plate. Therefore the following illustrations can assist in identification.



On both ASA and S-ASA the Anchor Point type will be Quick-Fit, Peg Bolt, or Anchor Pin (D).



With the above information any TSE slack adjuster can be identified. In addition it is always useful to know the vehicle application and which wheel end the adjuster is fitted to.